

CLM

LED Work Light

CLM



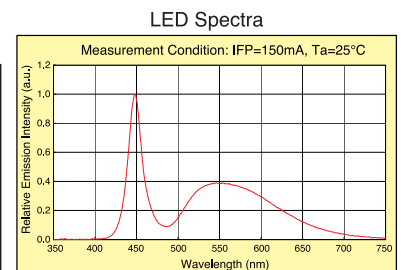
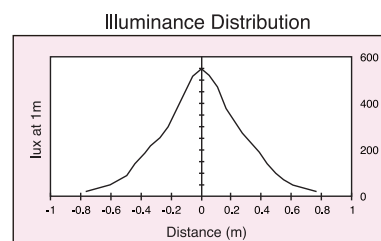
LED

ø85

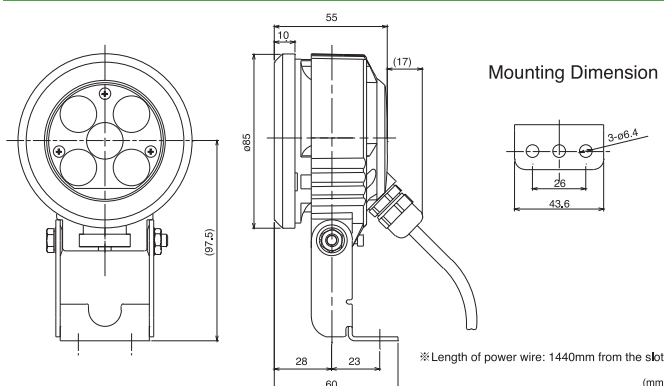
IP67f

Super bright LED work light with resistance to weather, dust, oil and water.

- Enhanced Illumination: 5 super-bright white LEDs.
- Installation: Direct mount with 1 screw, 1 or 2 point angle-mount.
- Mounting Parts: Corrosion resistant stainless steel bracket and mounting screws.
- Main Body: Impact resistant robust aluminum alloy body.
- Glass: Impact-resistant tempered glass.
- Conforms to the CE requirements.
- UL Listed (File No. E306141)



Dimensions



CLM Type

Model	Rated Voltage	Power Consumption	Intensity Level	Temperature Range
CLM-24	24V DC (no polarity)	3.0W	500cd (center)	-25°C to +60°C